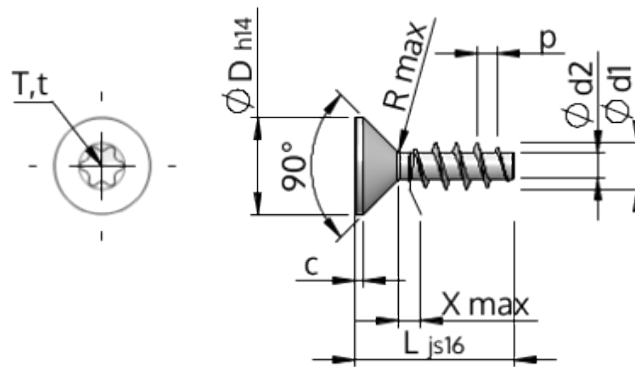


Spec Sheet STP41A0400160S



Item Number		STP41A0400160S
Standard		KN1041
Material		steel, hardened
Surface		zinc-plated 5-7 μm , baked, blue / transparent passivated
Thread Outside- \emptyset	d1	4.00 $^{+0.18}$ mm
Thread Core- \emptyset	d2	2.17 mm
Thread Pitch	p	1.79 mm
Length	L	16.00 ± 0.55 mm
Head- \emptyset	D	8.40 $_{-0.36}$ mm
Cylindrical Head Height	C	0.70 mm
Thread Run-Out	X	2.00 mm
Radius	R	0.40 mm
Size Six Lobe		T20
Penetration Depth	t	1.25 - 1.70 mm
Thread		STS
Weight		1.222 kg / 1000 pieces
Customs Tariff No		73 181 499