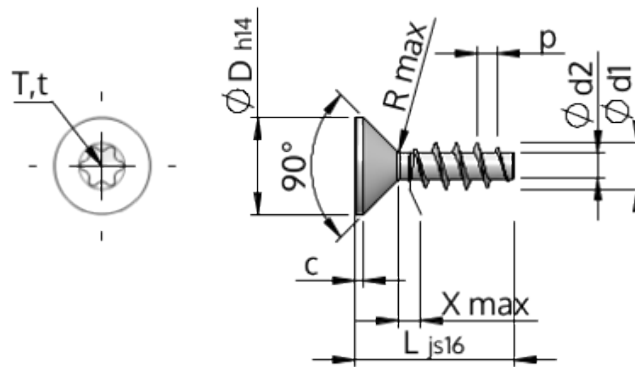


Spec Sheet STP41A0350400E



| | | |
|-------------------------|-----------|--------------------------------|
| Item Number | | STP41A0350400E |
| Standard | | KN1041 |
| Material | | stainless-steel A2 |
| Surface | | bright, pickled and passivated |
| Thread Outside-Ø | d1 | 3.50 ^{+0.18} mm |
| Thread Core-Ø | d2 | 1.91 mm |
| Thread Pitch | p | 1.57 mm |
| Length | L | 40.00 ±0.80 mm |
| Head-Ø | D | 7.30 _{-0.36} mm |
| Cylindrical Head Height | C | 0.65 mm |
| Thread Run-Out | X | 1.80 mm |
| Radius | R | 0.35 mm |
| Size Six Lobe | | T15 |
| Penetration Depth | t | 1.00 - 1.30 mm |
| Thread | | STS |
| Weight | | 1.760 kg / 1000 pieces |
| Customs Tariff No | | 73 181 410 |