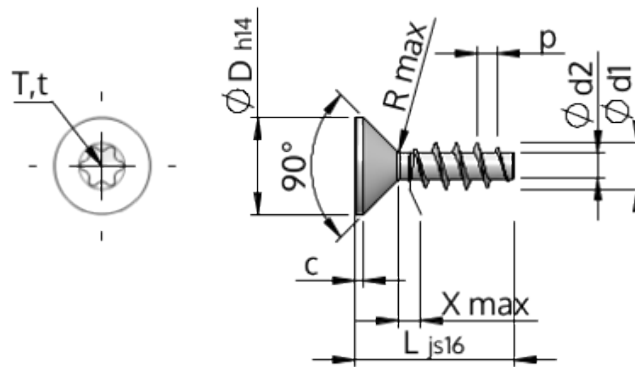


Spec Sheet **STP41A0250100B**



Item Number		STP41A0250100B
Standard		KN1041
Material		steel, hardened
Surface		Zinc-Nickel-plated min. 5 $\mu$ m, passivated black/ Cr-VI-free, baked, sealed
Thread Outside- $\phi$	<b>d1</b>	2.50 $^{+0.14}$ mm
Thread Core- $\phi$	<b>d2</b>	1.40 mm
Thread Pitch	<b>p</b>	1.12 mm
Length	<b>L</b>	10.00 $\pm 0.45$ mm
Head- $\phi$	<b>D</b>	4.70 $_{-0.30}$ mm
Cylindrical Head Height	<b>C</b>	0.55 mm
Thread Run-Out	<b>X</b>	1.30 mm
Radius	<b>R</b>	0.30 mm
Size Six Lobe		T8
Penetration Depth	<b>t</b>	0.70 - 0.90 mm
Thread		STS
Weight		0.274 kg / 1000 pieces
Customs Tariff No		73 181 499