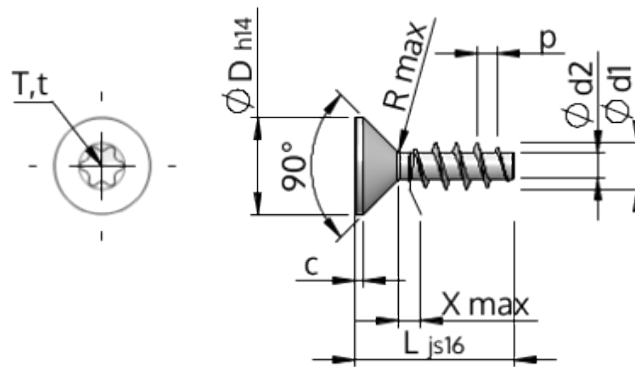


Spec Sheet STP41A0180100E



|                         |           |                                |
|-------------------------|-----------|--------------------------------|
| Item Number             |           | STP41A0180100E                 |
| Standard                |           | KN1041                         |
| Material                |           | stainless-steel A2             |
| Surface                 |           | bright, pickled and passivated |
| Thread Outside-Ø        | <b>d1</b> | 1.80 <sup>+0.14</sup> mm       |
| Thread Core-Ø           | <b>d2</b> | 1.04 mm                        |
| Thread Pitch            | <b>p</b>  | 0.80 mm                        |
| Length                  | <b>L</b>  | 10.00 ±0.45 mm                 |
| Head-Ø                  | <b>D</b>  | 3.40 <sub>-0.30</sub> mm       |
| Cylindrical Head Height | <b>C</b>  | 0.35 mm                        |
| Thread Run-Out          | <b>X</b>  | 0.90 mm                        |
| Radius                  | <b>R</b>  | 0.20 mm                        |
| Size Six Lobe           |           | T6                             |
| Penetration Depth       | <b>t</b>  | 0.50 - 0.65 mm                 |
| Thread                  |           | STS                            |
| Weight                  |           | 0.142 kg / 1000 pieces         |
| Customs Tariff No       |           | 73 181 410                     |