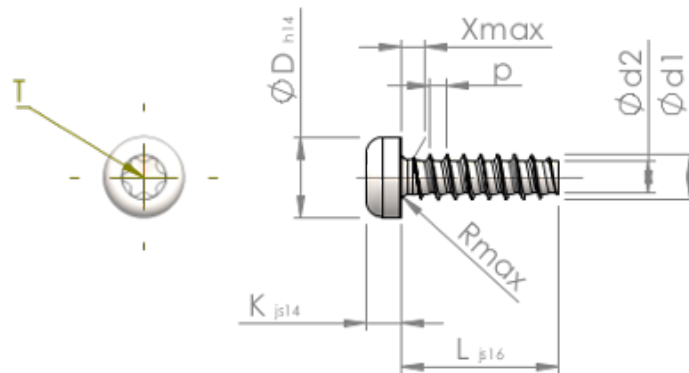


Spec Sheet STP390600800E



|                   |           |                                |
|-------------------|-----------|--------------------------------|
| Item Number       |           | STP390600800E                  |
| Standard          |           | KN6039                         |
| Material          |           | stainless-steel A2             |
| Surface           |           | bright, pickled and passivated |
| Thread Outside-Ø  | <b>d1</b> | 6.00 <sup>+0.15</sup> mm       |
| Thread Core-Ø     | <b>d2</b> | 4.26 mm                        |
| Thread Pitch      | <b>p</b>  | 2.14 mm                        |
| Length            | <b>L</b>  | 80.00 ±0.95 mm                 |
| Head-Ø            | <b>D</b>  | 10.50 <sub>-0.43</sub> mm      |
| Head Height       | <b>K</b>  | 4.200 ±0.150 mm                |
| Thread Run-Out    | <b>X</b>  | 3.00 mm                        |
| Radius            | <b>R</b>  | 0.80 mm                        |
| Size Six Lobe     |           | T30                            |
| Penetration Depth | <b>t</b>  | 1.90 - 2.40 mm                 |
| Thread            |           | STS-plus                       |
| Weight            |           | 12.939 kg / 1000 pieces        |
| Customs Tariff No |           | 73 181 410                     |