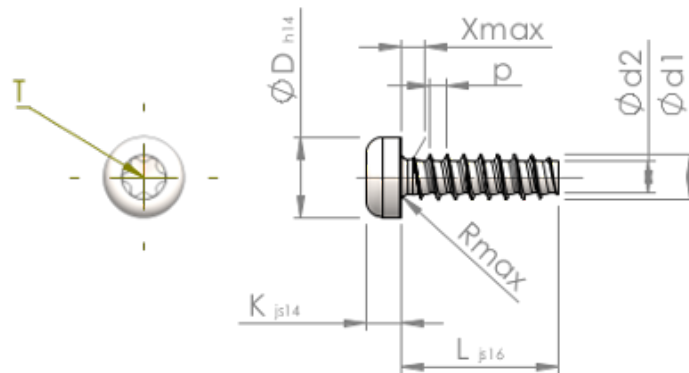


# Spec Sheet STP390300150S



Item Number		STP390300150S
Standard		KN6039
Material		steel, hardened
Surface		zinc-plated 5-7 $\mu\text{m}$ , baked, blue / transparent passivated
Thread Outside- $\varnothing$	<b>d1</b>	3.00 $^{+0.10}$ mm
Thread Core- $\varnothing$	<b>d2</b>	2.09 mm
Thread Pitch	<b>p</b>	1.12 mm
Length	<b>L</b>	15.00 $\pm 0.55$ mm
Head- $\varnothing$	<b>D</b>	5.30 $_{-0.30}$ mm
Head Height	<b>K</b>	2.300 $\pm 0.125$ mm
Thread Run-Out	<b>X</b>	1.50 mm
Radius	<b>R</b>	0.50 mm
Size Six Lobe		T10
Penetration Depth	<b>t</b>	1.00 - 1.30 mm
Thread		STS-plus
Weight		0.793 kg / 1000 pieces
Customs Tariff No		73 181 499