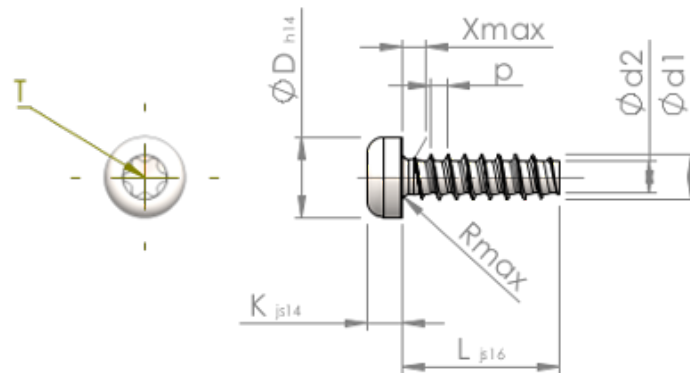


Spec Sheet **STP390180100B**



|                   |           |  |
|-------------------|-----------|--|
| Item Number       |           | STP390180100B  |
| Standard          |           | KN6039   |
| Material          |           | steel, hardened  |
| Surface           |           | Zinc-Nickel-plated min. 5µm, passivated black/ Cr-VI-free, baked, sealed |
| Thread Outside-Ø  | <b>d1</b> | 1.80 <sup>+0.08</sup> mm   |
| Thread Core-Ø     | <b>d2</b> | 1.22 mm  |
| Thread Pitch      | <b>p</b>  | 0.71 mm  |
| Length            | <b>L</b>  | 10.00 ±0.45 mm   |
| Head-Ø            | <b>D</b>  | 3.30 <sub>-0.30</sub> mm   |
| Head Height       | <b>K</b>  | 1.300 ±0.125 mm  |
| Thread Run-Out    | <b>X</b>  | 0.90 mm  |
| Radius            | <b>R</b>  | 0.25 mm  |
| Size Six Lobe     |           | T6   |
| Penetration Depth | <b>t</b>  | 0.50 - 0.65 mm   |
| Thread            |           | STS-plus   |
| Weight            |           | 0.187 kg / 1000 pieces   |
| Customs Tariff No |           | 73 181 499   |