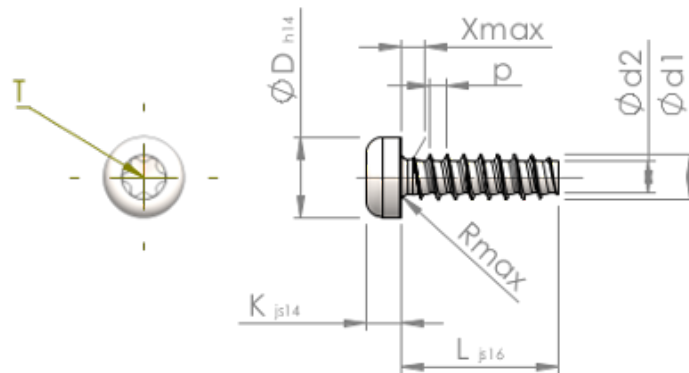


Spec Sheet STP390140120E



| | | |
|-------------------|-----------|--------------------------------|
| Item Number | | STP390140120E |
| Standard | | KN6039 |
| Material | | stainless-steel A2 |
| Surface | | bright, pickled and passivated |
| Thread Outside-Ø | d1 | 1.40 ^{+0.08} mm |
| Thread Core-Ø | d2 | 0.93 mm |
| Thread Pitch | p | 0.57 mm |
| Length | L | 12.00 ±0.55 mm |
| Head-Ø | D | 2.60 _{-0.25} mm |
| Head Height | K | 1.050 ±0.125 mm |
| Thread Run-Out | X | 0.70 mm |
| Radius | R | 0.20 mm |
| Size Six Lobe | | T3 |
| Penetration Depth | t | 0.35 - 0.50 mm |
| Thread | | STS-plus |
| Weight | | 0.121 kg / 1000 pieces |
| Customs Tariff No | | 73 181 410 |