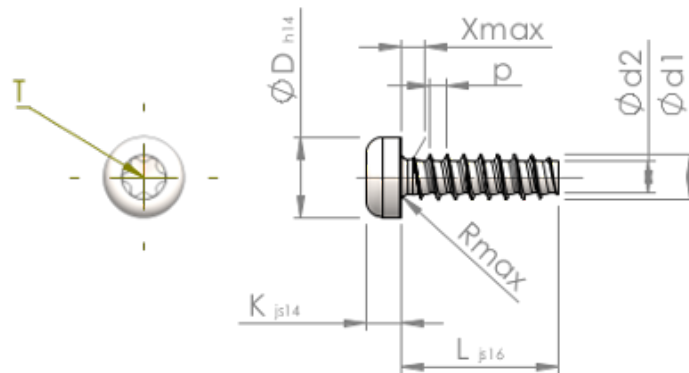


Spec Sheet STP390100050S



Item Number		STP390100050S
Standard		KN6039
Material		steel, hardened
Surface		zinc-plated 5-7 µm, baked, blue / transparent passivated
Thread Outside-Ø	d1	1.00 ^{+0.08} mm
Thread Core-Ø	d2	0.64 mm
Thread Pitch	p	0.44 mm
Length	L	5.00 ±0.38 mm
Head-Ø	D	2.00 _{-0.25} mm
Head Height	K	0.800 ±0.125 mm
Thread Run-Out	X	0.50 mm
Radius	R	0.20 mm
Size Six Lobe		T3
Penetration Depth	t	0.30 - 0.45 mm
Thread		STS-plus
Weight		0.032 kg / 1000 pieces
Customs Tariff No		73 181 499