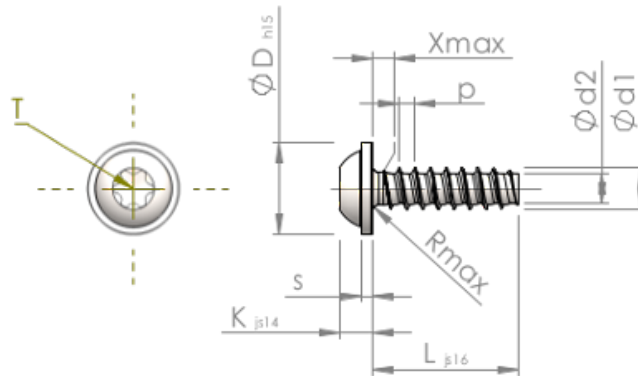


Spec Sheet STP380700250S



|                   |           |  |
|-------------------|-----------|--|
| Item Number       |           | STP380700250S  |
| Standard          |           | KN6038   |
| Material          |           | steel, hardened  |
| Surface           |           | zinc-plated 5-7 µm, baked, blue / transparent passivated |
| Thread Outside-Ø  | <b>d1</b> | 7.00 <sup>+0.18</sup> mm                                 |
| Thread Core-Ø     | <b>d2</b> | 4.98 mm  |
| Thread Pitch      | <b>p</b>  | 2.48 mm  |
| Length            | <b>L</b>  | 25.00 ±0.65 mm   |
| Head-Ø            | <b>D</b>  | 15.50 <sub>-0.70</sub> mm                                |
| Head Height       | <b>K</b>  | 4.900 ±0.150 mm  |
| Flange Thickness  | <b>S</b>  | 1.60 mm  |
| Thread Run-Out    | <b>X</b>  | 3.50 mm  |
| Radius            | <b>R</b>  | 0.90 mm  |
| Size Six Lobe     |           | T30  |
| Penetration Depth | <b>t</b>  | 2.30 - 2.90 mm   |
| Thread            |           | STS-plus   |
| Weight            |           | 8.528 kg / 1000 pieces                                   |
| Customs Tariff No |           | 73 181 499   |