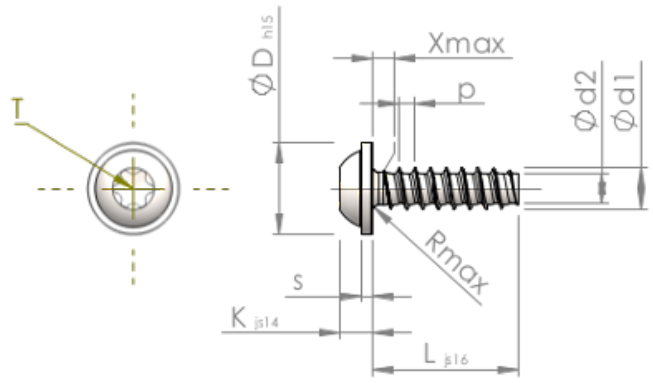


Spec Sheet STP380600140J



| | | |
|-------------------|-----------|---------------------------|
| Item Number | | STP380600140J |
| Standard | | KN6038 |
| Material | | stainless-steel A2 |
| Surface | | black |
| Thread Outside-Ø | d1 | 6.00 ^{+0.15} mm |
| Thread Core-Ø | d2 | 4.26 mm |
| Thread Pitch | p | 2.14 mm |
| Length | L | 14.00 ±0.55 mm |
| Head-Ø | D | 13.50 _{-0.70} mm |
| Head Height | K | 4.200 ±0.150 mm |
| Flange Thickness | S | 1.40 mm |
| Thread Run-Out | X | 3.00 mm |
| Radius | R | 0.80 mm |
| Size Six Lobe | | T30 |
| Penetration Depth | t | 1.90 - 2.40 mm |
| Thread | | STS-plus |
| Weight | | 4.295 kg / 1000 pieces |
| Customs Tariff No | | 73 181 410 |