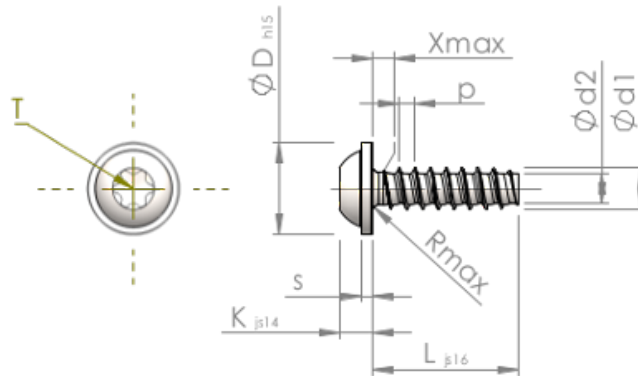


Spec Sheet STP380400300S



Item Number		STP380400300S
Standard		KN6038
Material		steel, hardened
Surface		zinc-plated 5-7 $\mu\text{m}$ , baked, blue / transparent passivated
Thread Outside- $\text{Ø}$	<b>d1</b>	4.00 $^{+0.10}$ mm
Thread Core- $\text{Ø}$	<b>d2</b>	2.81 mm
Thread Pitch	<b>p</b>	1.46 mm
Length	<b>L</b>	30.00 $\pm 0.65$ mm
Head- $\text{Ø}$	<b>D</b>	9.00 $_{-0.58}$ mm
Head Height	<b>K</b>	3.100 $\pm 0.150$ mm
Flange Thickness	<b>S</b>	1.00 mm
Thread Run-Out	<b>X</b>	2.00 mm
Radius	<b>R</b>	0.60 mm
Size Six Lobe		T20
Penetration Depth	<b>t</b>	1.40 - 1.80 mm
Thread		STS-plus
Weight		2.643 kg / 1000 pieces
Customs Tariff No		73 181 499