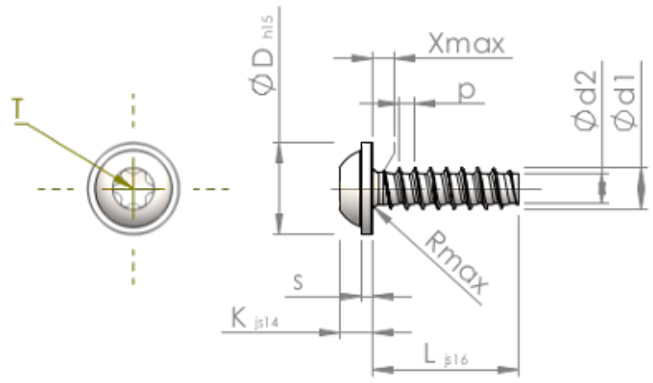


Spec Sheet STP380400100C



| | | |
|-------------------|-----------|--------------------------------|
| Item Number | | STP380400100C |
| Standard | | KN6038 |
| Material | | stainless steel A4 |
| Surface | | bright, pickled and passivated |
| Thread Outside-Ø | d1 | 4.00 ^{+0.10} mm |
| Thread Core-Ø | d2 | 2.81 mm |
| Thread Pitch | p | 1.46 mm |
| Length | L | 10.00 ±0.45 mm |
| Head-Ø | D | 9.00 _{-0.58} mm |
| Head Height | K | 3.100 ±0.150 mm |
| Flange Thickness | S | 1.00 mm |
| Thread Run-Out | X | 2.00 mm |
| Radius | R | 0.60 mm |
| Size Six Lobe | | T20 |
| Penetration Depth | t | 1.40 - 1.80 mm |
| Thread | | STS-plus |
| Weight | | 1.430 kg / 1000 pieces |
| Customs Tariff No | | 73 181 410 |