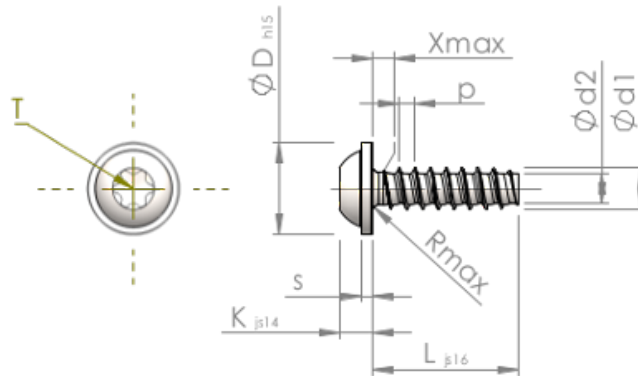


# Spec Sheet STP380350200S



Item Number		STP380350200S
Standard		KN6038
Material		steel, hardened
Surface		zinc-plated 5-7 $\mu$ m, baked, blue / transparent passivated
Thread Outside- $\varnothing$	<b>d1</b>	3.50 $^{+0.10}$ mm
Thread Core- $\varnothing$	<b>d2</b>	2.45 mm
Thread Pitch	<b>p</b>	1.29 mm
Length	<b>L</b>	20.00 $\pm 0.65$ mm
Head- $\varnothing$	<b>D</b>	7.50 $_{-0.58}$ mm
Head Height	<b>K</b>	2.700 $\pm 0.125$ mm
Flange Thickness	<b>S</b>	0.90 mm
Thread Run-Out	<b>X</b>	1.80 mm
Radius	<b>R</b>	0.50 mm
Size Six Lobe		T15
Penetration Depth	<b>t</b>	1.10 - 1.50 mm
Thread		STS-plus
Weight		1.427 kg / 1000 pieces
Customs Tariff No		73 181 499