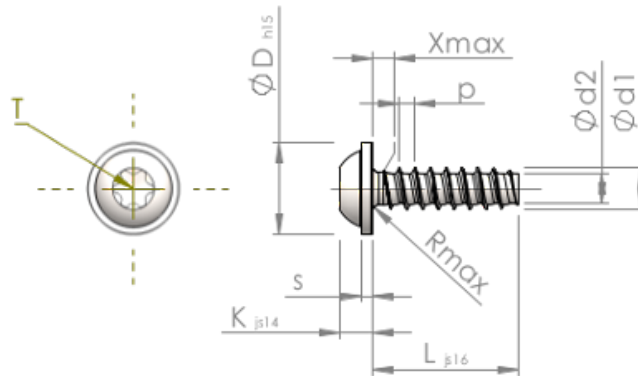


Spec Sheet STP380200150S



| | | |
|-------------------------------|-----------|---|
| Item Number | | STP380200150S |
| Standard | | KN6038 |
| Material | | steel, hardened |
| Surface | | zinc-plated 5-7 μ m, baked, blue / transparent passivated |
| Thread Outside- \varnothing | d1 | 2.00 $^{+0.08}$ mm |
| Thread Core- \varnothing | d2 | 1.36 mm |
| Thread Pitch | p | 0.78 mm |
| Length | L | 15.00 ± 0.55 mm |
| Head- \varnothing | D | 4.50 $_{-0.48}$ mm |
| Head Height | K | 1.600 ± 0.125 mm |
| Flange Thickness | S | 0.60 mm |
| Thread Run-Out | X | 1.00 mm |
| Radius | R | 0.35 mm |
| Size Six Lobe | | T6 |
| Penetration Depth | t | 0.65 - 0.85 mm |
| Thread | | STS-plus |
| Weight | | 0.336 kg / 1000 pieces |
| Customs Tariff No | | 73 181 499 |