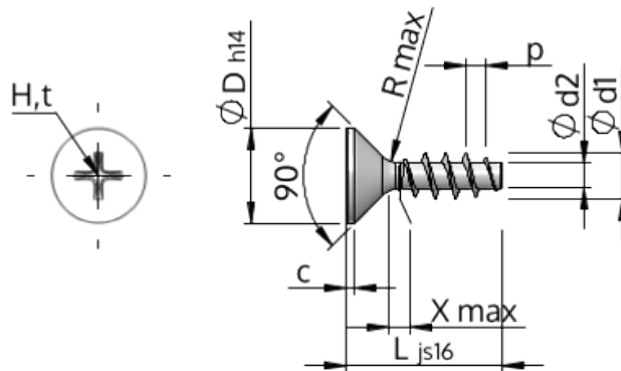


Spec Sheet STP33A0600700S



Item Number		STP33A0600700S
Standard		KN1033
Material		steel, hardened
Surface		zinc-plated 5-7 μm , baked, blue / transparent passivated
Thread Outside- Ø	d1	6.00 $^{+0.18}$ mm
Thread Core- Ø	d2	3.19 mm
Thread Pitch	p	2.69 mm
Length	L	70.00 ± 0.95 mm
Head- Ø	D	11.30 $_{-0.43}$ mm
Cylindrical Head Height	C	0.85 mm
Thread Run-Out	X	3.00 mm
Radius	R	0.60 mm
Size Cross Recess		H2
Penetration Depth	t	2.59 - 3.22 mm
Thread		STS
Weight		8.280 kg / 1000 pieces
Customs Tariff No		73 181 499