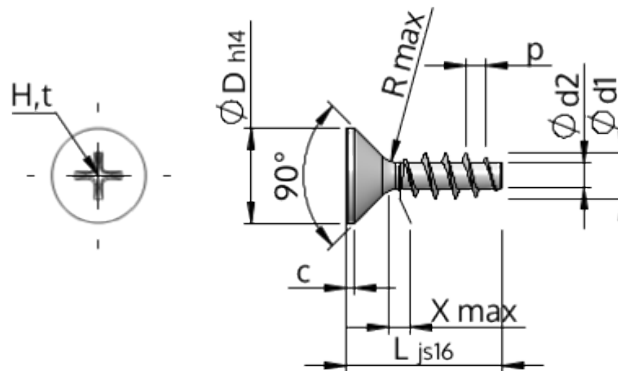


Spec Sheet STP33A0600300B



Item Number		STP33A0600300B
Standard		KN1033
Material		steel, hardened
Surface		Zinc-Nickel-plated min. 5µm, passivated black/ Cr-VI-free, baked, sealed
Thread Outside-Ø	<b>d1</b>	6.00 <sup>+0.18</sup> mm
Thread Core-Ø	<b>d2</b>	3.19 mm
Thread Pitch	<b>p</b>	2.69 mm
Length	<b>L</b>	30.00 ±0.65 mm
Head-Ø	<b>D</b>	11.30 <sub>-0.43</sub> mm
Cylindrical Head Height	<b>C</b>	0.85 mm
Thread Run-Out	<b>X</b>	3.00 mm
Radius	<b>R</b>	0.60 mm
Size Cross Recess		H2
Penetration Depth	<b>t</b>	2.59 - 3.22 mm
Thread		STS
Weight		4.195 kg / 1000 pieces
Customs Tariff No		73 181 499