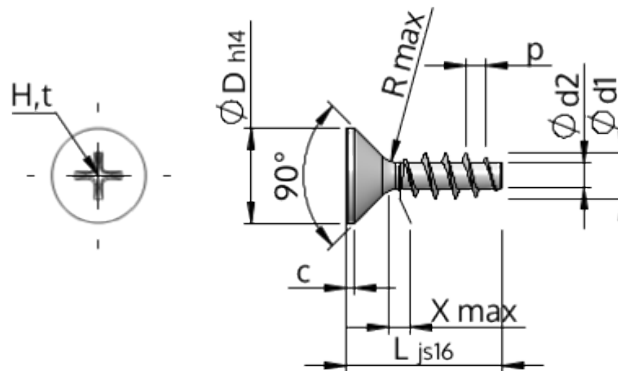


Spec Sheet STP33A0350400S



Item Number		STP33A0350400S
Standard		KN1033
Material		steel, hardened
Surface		zinc-plated 5-7 $\mu\text{m}$ , baked, blue / transparent passivated
Thread Outside-Ø	<b>d1</b>	3.50 $^{+0.18}$ mm
Thread Core-Ø	<b>d2</b>	1.91 mm
Thread Pitch	<b>p</b>	1.57 mm
Length	<b>L</b>	40.00 $\pm 0.80$ mm
Head-Ø	<b>D</b>	7.30 $_{-0.36}$ mm
Cylindrical Head Height	<b>C</b>	0.55 mm
Thread Run-Out	<b>X</b>	1.80 mm
Radius	<b>R</b>	0.35 mm
Size Cross Recess		H2
Penetration Depth	<b>t</b>	1.33 - 1.96 mm
Thread		STS
Weight		1.758 kg / 1000 pieces
Customs Tariff No		73 181 499