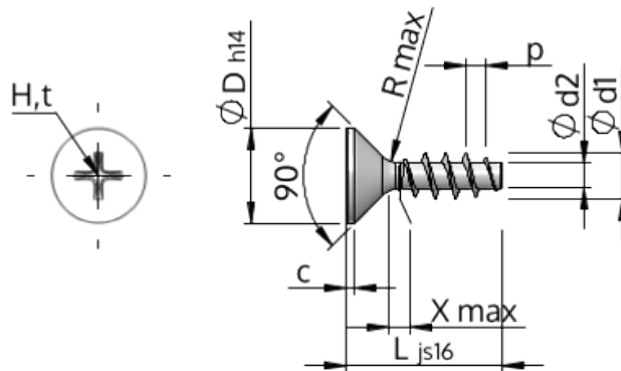


Spec Sheet STP33A0250080S



Item Number		STP33A0250080S
Standard		KN1033
Material		steel, hardened
Surface		zinc-plated 5-7 $\mu\text{m}$ , baked, blue / transparent passivated
Thread Outside- $\text{Ø}$	<b>d1</b>	2.50 $^{+0.14}$ mm
Thread Core- $\text{Ø}$	<b>d2</b>	1.40 mm
Thread Pitch	<b>p</b>	1.12 mm
Length	<b>L</b>	8.00 $\pm 0.45$ mm
Head- $\text{Ø}$	<b>D</b>	4.70 $_{-0.30}$ mm
Cylindrical Head Height	<b>C</b>	0.55 mm
Thread Run-Out	<b>X</b>	1.30 mm
Radius	<b>R</b>	0.30 mm
Size Cross Recess		H1
Penetration Depth	<b>t</b>	0.97 - 1.43 mm
Thread		STS
Weight		0.236 kg / 1000 pieces
Customs Tariff No		73 181 499