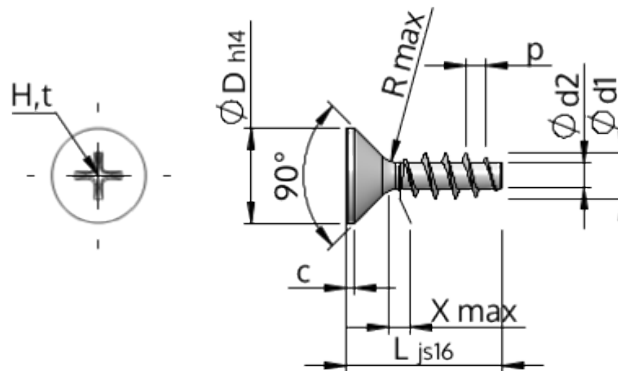


Spec Sheet STP33A0200100S



Item Number		STP33A0200100S
Standard		KN1033
Material		steel, hardened
Surface		zinc-plated 5-7 µm, baked, blue / transparent passivated
Thread Outside-Ø	<b>d1</b>	2.00 <sup>+0.14</sup> mm
Thread Core-Ø	<b>d2</b>	1.15 mm
Thread Pitch	<b>p</b>	0.89 mm
Length	<b>L</b>	10.00 ±0.45 mm
Head-Ø	<b>D</b>	3.80 <sub>-0.30</sub> mm
Cylindrical Head Height	<b>C</b>	0.35 mm
Thread Run-Out	<b>X</b>	1.00 mm
Radius	<b>R</b>	0.25 mm
Size Cross Recess		H1
Penetration Depth	<b>t</b>	0.95 - 1.25 mm
Thread		STS
Weight		0.193 kg / 1000 pieces
Customs Tariff No		73 181 499