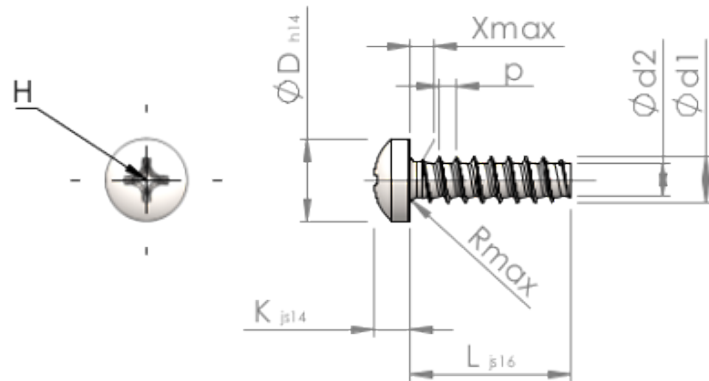


Spec Sheet STP320350220E



| | | |
|-------------------|-----------|--------------------------------|
| Item Number | | STP320350220E |
| Standard | | KN6032 |
| Material | | stainless-steel A2 |
| Surface | | bright, pickled and passivated |
| Thread Outside-Ø | d1 | 3.50 ^{+0.10} mm |
| Thread Core-Ø | d2 | 2.45 mm |
| Thread Pitch | p | 1.29 mm |
| Length | L | 22.00 ±0.65 mm |
| Head-Ø | D | 6.10 _{-0.36} mm |
| Head Height | K | 2.700 ±0.125 mm |
| Thread Run-Out | X | 1.80 mm |
| Radius | R | 0.50 mm |
| Size Cross Recess | | H2 |
| Penetration Depth | t | 1.23 - 1.86 mm |
| Thread | | STS-plus |
| Weight | | 1.456 kg / 1000 pieces |
| Customs Tariff No | | 73 181 410 |