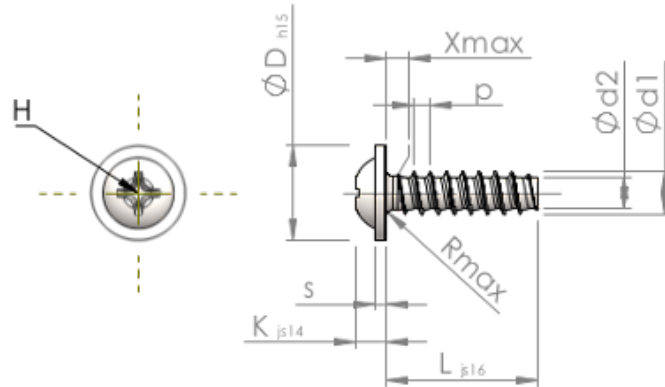


Spec Sheet STP310600700B



|                   |           |  |
|-------------------|-----------|--|
| Item Number       |           | STP310600700B  |
| Standard          |           | KN6031   |
| Material          |           | steel, hardened  |
| Surface           |           | Zinc-Nickel-plated min. 5µm, passivated black/ Cr-VI-free, baked, sealed |
| Thread Outside-Ø  | <b>d1</b> | 6.00 <sup>+0.15</sup> mm   |
| Thread Core-Ø     | <b>d2</b> | 4.26 mm  |
| Thread Pitch      | <b>p</b>  | 2.14 mm  |
| Length            | <b>L</b>  | 70.00 ±0.95 mm   |
| Head-Ø            | <b>D</b>  | 13.50 <sub>-0.70</sub> mm  |
| Head Height       | <b>K</b>  | 4.000 ±0.150 mm  |
| Flange Thickness  | <b>S</b>  | 1.40 mm  |
| Thread Run-Out    | <b>X</b>  | 3.00 mm  |
| Radius            | <b>R</b>  | 0.80 mm  |
| Size Cross Recess |           | H3   |
| Penetration Depth | <b>t</b>  | 2.24 - 2.90 mm   |
| Thread            |           | STS-plus   |
| Weight            |           | 11.576 kg / 1000 pieces  |
| Customs Tariff No |           | 73 181 499   |