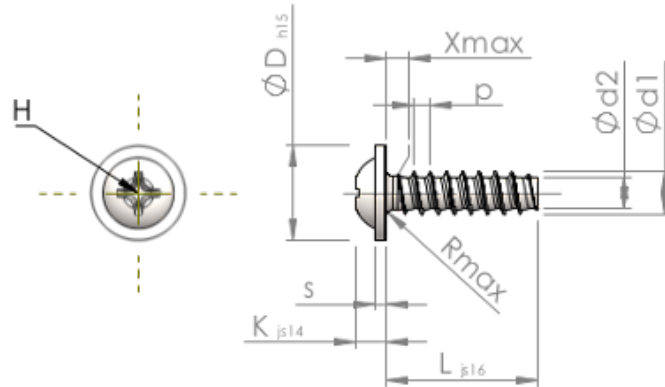


Spec Sheet STP310500400B



Item Number		STP310500400B
Standard		KN6031
Material		steel, hardened
Surface		Zinc-Nickel-plated min. 5µm, passivated black/ Cr-VI-free, baked, sealed
Thread Outside-Ø	d1	5.00 ^{+0.15} mm
Thread Core-Ø	d2	3.53 mm
Thread Pitch	p	1.80 mm
Length	L	40.00 ±0.80 mm
Head-Ø	D	11.00 _{-0.70} mm
Head Height	K	3.200 ±0.150 mm
Flange Thickness	S	1.20 mm
Thread Run-Out	X	2.50 mm
Radius	R	0.70 mm
Size Cross Recess		H2
Penetration Depth	t	1.98 - 2.61 mm
Thread		STS-plus
Weight		5.033 kg / 1000 pieces
Customs Tariff No		73 181 499