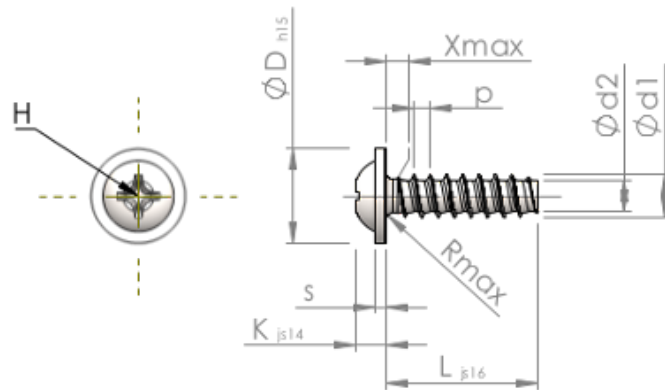


# Spec Sheet STP310450180S



Item Number		STP310450180S
Standard		KN6031
Material		steel, hardened
Surface		zinc-plated 5-7 $\mu$ m, baked, blue / transparent passivated
Thread Outside- $\varnothing$	<b>d1</b>	4.50 $^{+0.10}$ mm
Thread Core- $\varnothing$	<b>d2</b>	3.17 mm
Thread Pitch	<b>p</b>	1.63 mm
Length	<b>L</b>	18.00 $\pm 0.55$ mm
Head- $\varnothing$	<b>D</b>	10.00 $_{-0.58}$ mm
Head Height	<b>K</b>	2.500 $\pm 0.125$ mm
Flange Thickness	<b>S</b>	1.00 mm
Thread Run-Out	<b>X</b>	2.30 mm
Radius	<b>R</b>	0.60 mm
Size Cross Recess		H2
Penetration Depth	<b>t</b>	1.33 - 1.96 mm
Thread		STS-plus
Weight		2.119 kg / 1000 pieces
Customs Tariff No		73 181 499