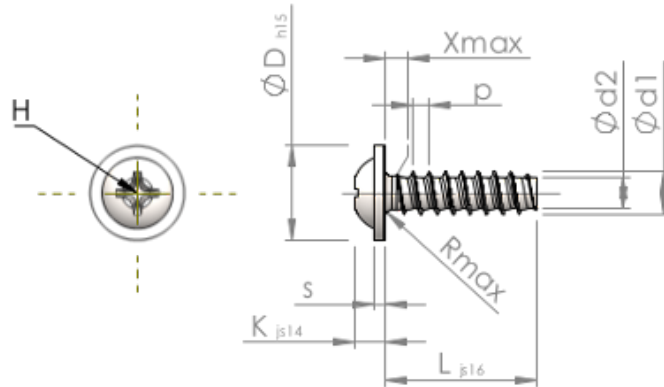


Spec Sheet STP310350090C



|                   |           |                                |
|-------------------|-----------|--------------------------------|
| Item Number       |           | STP310350090C                  |
| Standard          |           | KN6031                         |
| Material          |           | stainless steel A4             |
| Surface           |           | bright, pickled and passivated |
| Thread Outside-Ø  | <b>d1</b> | 3.50 <sup>+0.10</sup> mm       |
| Thread Core-Ø     | <b>d2</b> | 2.45 mm                        |
| Thread Pitch      | <b>p</b>  | 1.29 mm                        |
| Length            | <b>L</b>  | 9.00 ±0.45 mm                  |
| Head-Ø            | <b>D</b>  | 7.50 <sub>-0.58</sub> mm       |
| Head Height       | <b>K</b>  | 2.400 ±0.125 mm                |
| Flange Thickness  | <b>S</b>  | 0.90 mm                        |
| Thread Run-Out    | <b>X</b>  | 1.80 mm                        |
| Radius            | <b>R</b>  | 0.50 mm                        |
| Size Cross Recess |           | H2                             |
| Penetration Depth | <b>t</b>  | 1.07 - 1.70 mm                 |
| Thread            |           | STS-plus                       |
| Weight            |           | 0.854 kg / 1000 pieces         |
| Customs Tariff No |           | 73 181 410                     |