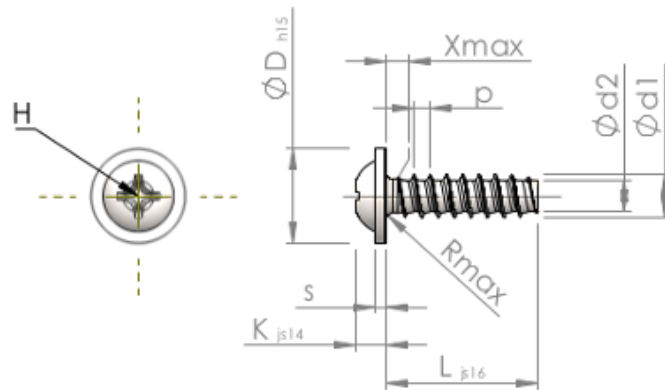


Spec Sheet STP310300090C



| | | |
|-------------------|-----------|--------------------------------|
| Item Number | | STP310300090C |
| Standard | | KN6031 |
| Material | | stainless steel A4 |
| Surface | | bright, pickled and passivated |
| Thread Outside-Ø | d1 | 3.00 ^{+0.10} mm |
| Thread Core-Ø | d2 | 2.09 mm |
| Thread Pitch | p | 1.12 mm |
| Length | L | 9.00 ±0.45 mm |
| Head-Ø | D | 6.50 _{-0.58} mm |
| Head Height | K | 2.100 ±0.125 mm |
| Flange Thickness | S | 0.80 mm |
| Thread Run-Out | X | 1.50 mm |
| Radius | R | 0.50 mm |
| Size Cross Recess | | H1 |
| Penetration Depth | t | 1.15 - 1.61 mm |
| Thread | | STS-plus |
| Weight | | 0.582 kg / 1000 pieces |
| Customs Tariff No | | 73 181 410 |