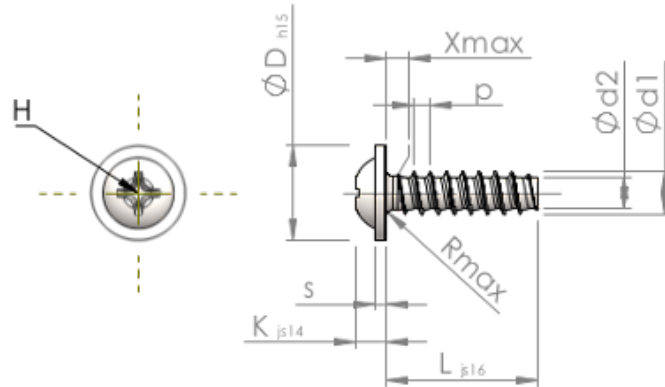


Spec Sheet STP310220120S



Item Number		STP310220120S
Standard		KN6031
Material		steel, hardened
Surface		zinc-plated 5-7 $\mu$ m, baked, blue / transparent passivated
Thread Outside- $\varnothing$	<b>d1</b>	2.20 $^{+0.08}$ mm
Thread Core- $\varnothing$	<b>d2</b>	1.51 mm
Thread Pitch	<b>p</b>	0.85 mm
Length	<b>L</b>	12.00 $\pm 0.55$ mm
Head- $\varnothing$	<b>D</b>	5.00 $_{-0.48}$ mm
Head Height	<b>K</b>	1.600 $\pm 0.125$ mm
Flange Thickness	<b>S</b>	0.60 mm
Thread Run-Out	<b>X</b>	1.10 mm
Radius	<b>R</b>	0.35 mm
Size Cross Recess		H1
Penetration Depth	<b>t</b>	0.68 - 1.14 mm
Thread		STS-plus
Weight		0.344 kg / 1000 pieces
Customs Tariff No		73 181 499