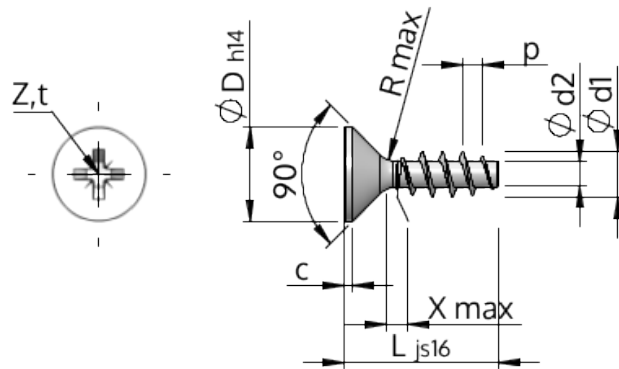


Spec Sheet STP23A0500120S



Item Number		STP23A0500120S
Standard		KN1033
Material		steel, hardened
Surface		zinc-plated 5-7 $\mu\text{m}$ , baked, blue / transparent passivated
Thread Outside- $\varnothing$	<b>d1</b>	5.00 $^{+0.18}$ mm
Thread Core- $\varnothing$	<b>d2</b>	2.68 mm
Thread Pitch	<b>p</b>	2.24 mm
Length	<b>L</b>	12.00 $\pm 0.55$ mm
Head- $\varnothing$	<b>D</b>	9.30 $_{-0.36}$ mm
Cylindrical Head Height	<b>C</b>	0.50 mm
Thread Run-Out	<b>X</b>	2.50 mm
Radius	<b>R</b>	0.45 mm
Size Cross Recess		Z2
Penetration Depth	<b>t</b>	2.06 - 2.52 mm
Thread		STS
Weight		1.352 kg / 1000 pieces
Customs Tariff No		73 181 499