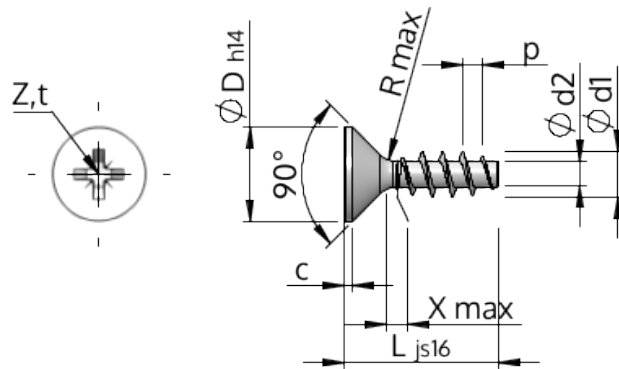


Spec Sheet STP23A0400220S



Item Number		STP23A0400220S
Standard		KN1033
Material		steel, hardened
Surface		zinc-plated 5-7 μm , baked, blue / transparent passivated
Thread Outside- \varnothing	d1	4.00 $^{+0.18}$ mm
Thread Core- \varnothing	d2	2.17 mm
Thread Pitch	p	1.79 mm
Length	L	22.00 ± 0.65 mm
Head- \varnothing	D	8.40 $_{-0.36}$ mm
Cylindrical Head Height	C	0.45 mm
Thread Run-Out	X	2.00 mm
Radius	R	0.40 mm
Size Cross Recess		Z2
Penetration Depth	t	1.70 - 2.16 mm
Thread		STS
Weight		1.483 kg / 1000 pieces
Customs Tariff No		73 181 499