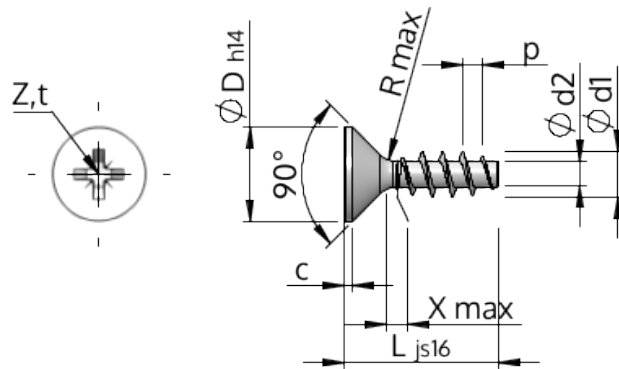


Spec Sheet STP23A0300120B



Item Number		STP23A0300120B
Standard		KN1033
Material		steel, hardened
Surface		Zinc-Nickel-plated min. 5µm, passivated black/ Cr-VI-free, baked, sealed
Thread Outside-Ø	<b>d1</b>	3.00 <sup>+0.14</sup> mm
Thread Core-Ø	<b>d2</b>	1.66 mm
Thread Pitch	<b>p</b>	1.34 mm
Length	<b>L</b>	12.00 ±0.55 mm
Head-Ø	<b>D</b>	5.50 <sub>-0.30</sub> mm
Cylindrical Head Height	<b>C</b>	0.35 mm
Thread Run-Out	<b>X</b>	1.50 mm
Radius	<b>R</b>	0.35 mm
Size Cross Recess		Z1
Penetration Depth	<b>t</b>	1.20 - 1.45 mm
Thread		STS
Weight		0.449 kg / 1000 pieces
Customs Tariff No		73 181 499