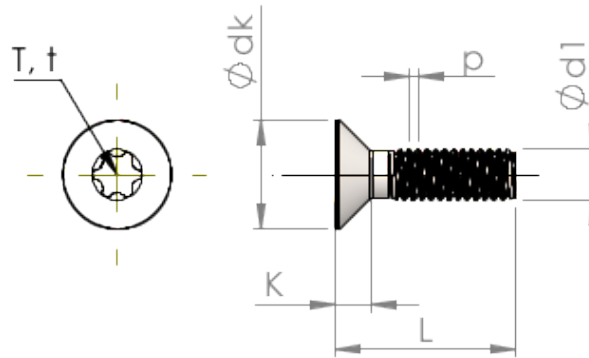


Spec Sheet STM410800750S



Item Number		STM410800750S
Standard		ISO 14581
Material		steel, hardened
Surface		zinc-plated 5-7 µm, baked, blue / transparent passivated
Thread Outside-Ø	<b>d1</b>	8.00 mm
Thread Pitch	<b>p</b>	1.25 mm
Length	<b>L</b>	75.00 ±0.95 mm
Head-Ø	<b>D</b>	15.80 <sub>-0.43</sub> mm
Cylindrical Head Height	<b>C</b>	0.95 mm
Size Six Lobe		T45
Penetration Depth	<b>t</b>	2.15 - 2.54 mm
Weight		24.618 kg / 1000 pieces
Customs Tariff No		73 181 595