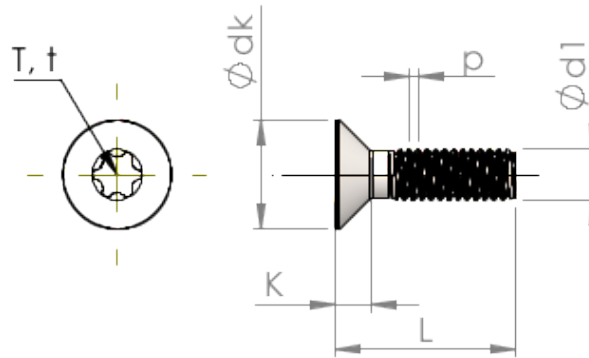


Spec Sheet STM410600600B



Item Number		STM410600600B
Standard		ISO 14581
Material		steel, hardened
Surface		Zinc-Nickel-plated min. 5µm, passivated black/ Cr-VI-free, baked, sealed
Thread Outside-Ø	<b>d1</b>	6.00 mm
Thread Pitch	<b>p</b>	1.00 mm
Length	<b>L</b>	60.00 ±0.95 mm
Head-Ø	<b>D</b>	11.30 <sub>-0.43</sub> mm
Cylindrical Head Height	<b>C</b>	0.85 mm
Size Six Lobe		T30
Penetration Depth	<b>t</b>	1.39 - 1.78 mm
Weight		10.833 kg / 1000 pieces
Customs Tariff No		73 181 595