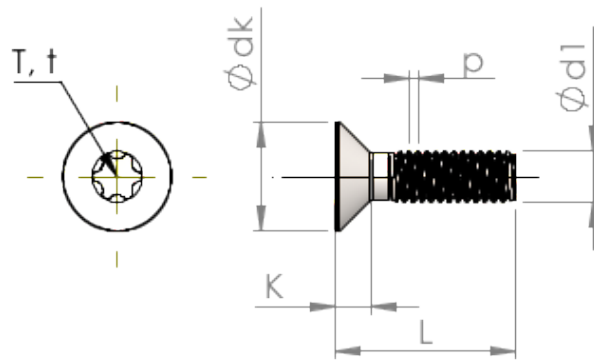


Spec Sheet STM410600150B



| | | |
|-------------------------|-----------|--|
| Item Number | | STM410600150B |
| Standard | | ISO 14581 |
| Material | | steel, hardened |
| Surface | | Zinc-Nickel-plated min. 5µm, passivated black/ Cr-VI-free, baked, sealed |
| Thread Outside-Ø | d1 | 6.00 mm |
| Thread Pitch | p | 1.00 mm |
| Length | L | 15.00 ±0.55 mm |
| Head-Ø | D | 11.30 _{-0.43} mm |
| Cylindrical Head Height | C | 0.85 mm |
| Size Six Lobe | | T30 |
| Penetration Depth | t | 1.39 - 1.78 mm |
| Weight | | 3.275 kg / 1000 pieces |
| Customs Tariff No | | 73 181 595 |