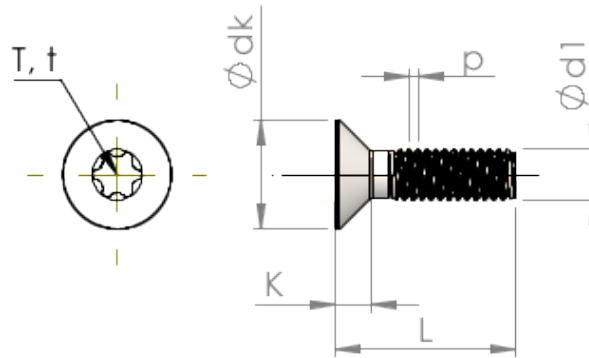


Spec Sheet STM410501000S



Item Number		STM410501000S
Standard		ISO 14581
Material		steel, hardened
Surface		zinc-plated 5-7 µm, baked, blue / transparent passivated
Thread Outside-Ø	d1	5.00 mm
Thread Pitch	p	0.80 mm
Length	L	100.00 ±0.95 mm
Head-Ø	D	9.30 _{-0.36} mm
Cylindrical Head Height	C	0.75 mm
Size Six Lobe		T25
Penetration Depth	t	1.12 - 1.51 mm
Weight		12.411 kg / 1000 pieces
Customs Tariff No		73 181 595