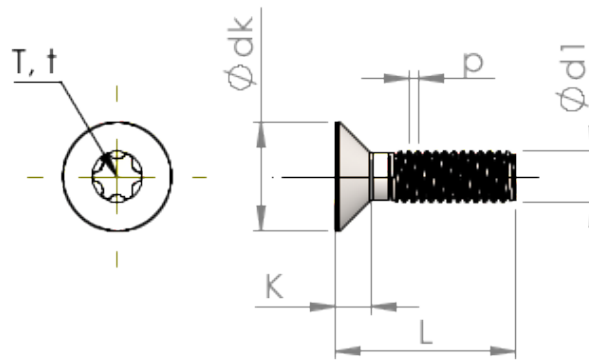


Spec Sheet STM410500220S



| | | |
|-------------------------|-----------|--|
| Item Number | | STM410500220S |
| Standard | | ISO 14581 |
| Material | | steel, hardened |
| Surface | | zinc-plated 5-7 µm, baked, blue / transparent passivated |
| Thread Outside-Ø | d1 | 5.00 mm |
| Thread Pitch | p | 0.80 mm |
| Length | L | 22.00 ±0.65 mm |
| Head-Ø | D | 9.30 _{-0.36} mm |
| Cylindrical Head Height | C | 0.75 mm |
| Size Six Lobe | | T25 |
| Penetration Depth | t | 1.12 - 1.51 mm |
| Weight | | 3.071 kg / 1000 pieces |
| Customs Tariff No | | 73 181 595 |