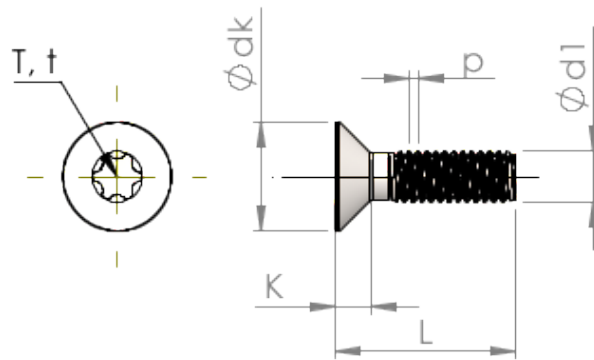


Spec Sheet STM410400220E



Item Number		STM410400220E
Standard		ISO 14581
Material		stainless-steel A2
Surface		bright, pickled and passivated
Thread Outside-Ø	d1	4.00 mm
Thread Pitch	p	0.70 mm
Length	L	22.00 ±0.65 mm
Head-Ø	D	8.40 _{-0.36} mm
Cylindrical Head Height	C	0.70 mm
Size Six Lobe		T20
Penetration Depth	t	1.14 - 1.53 mm
Weight		1.954 kg / 1000 pieces
Customs Tariff No		73 181 575